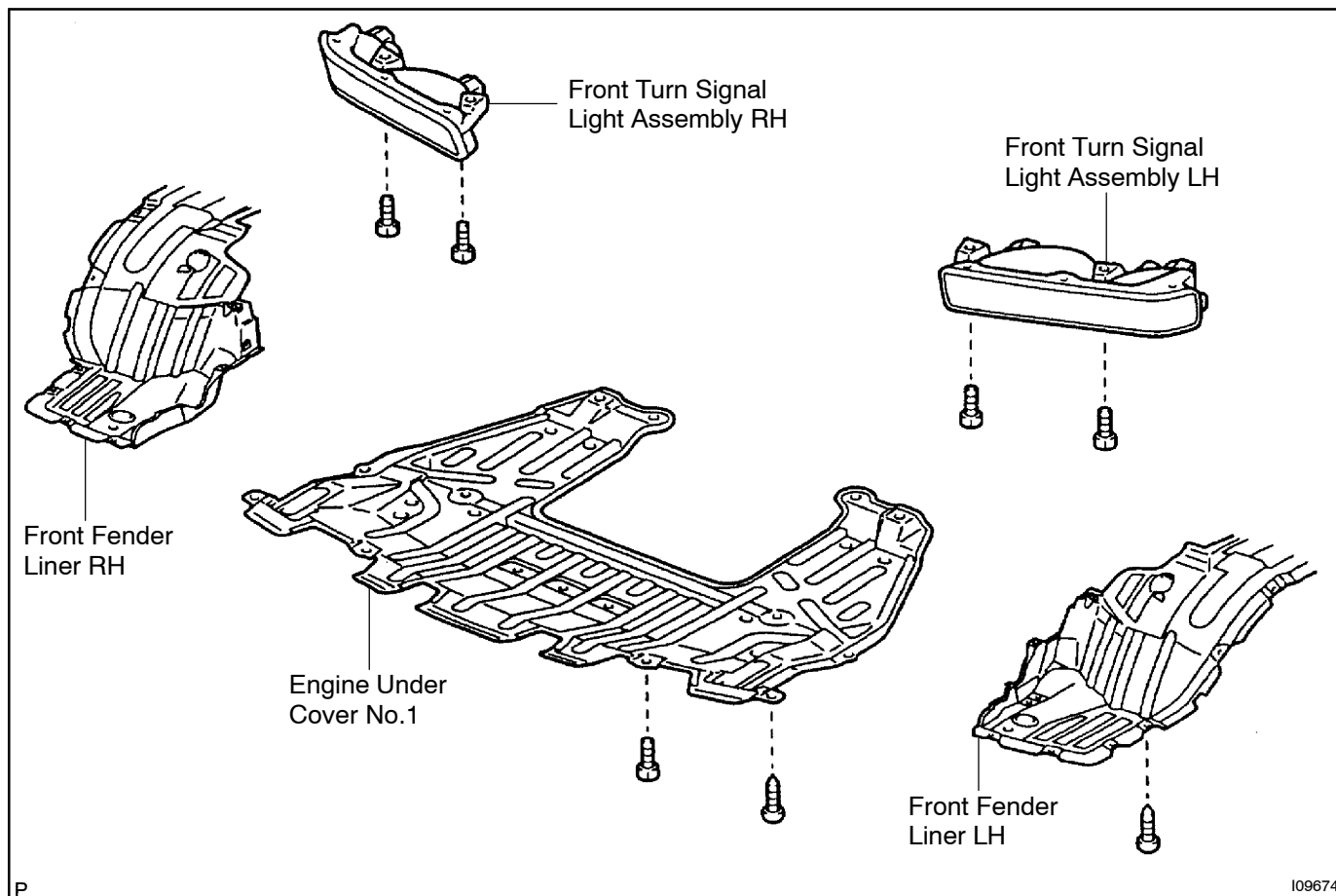


COMPONENTS



P

109674