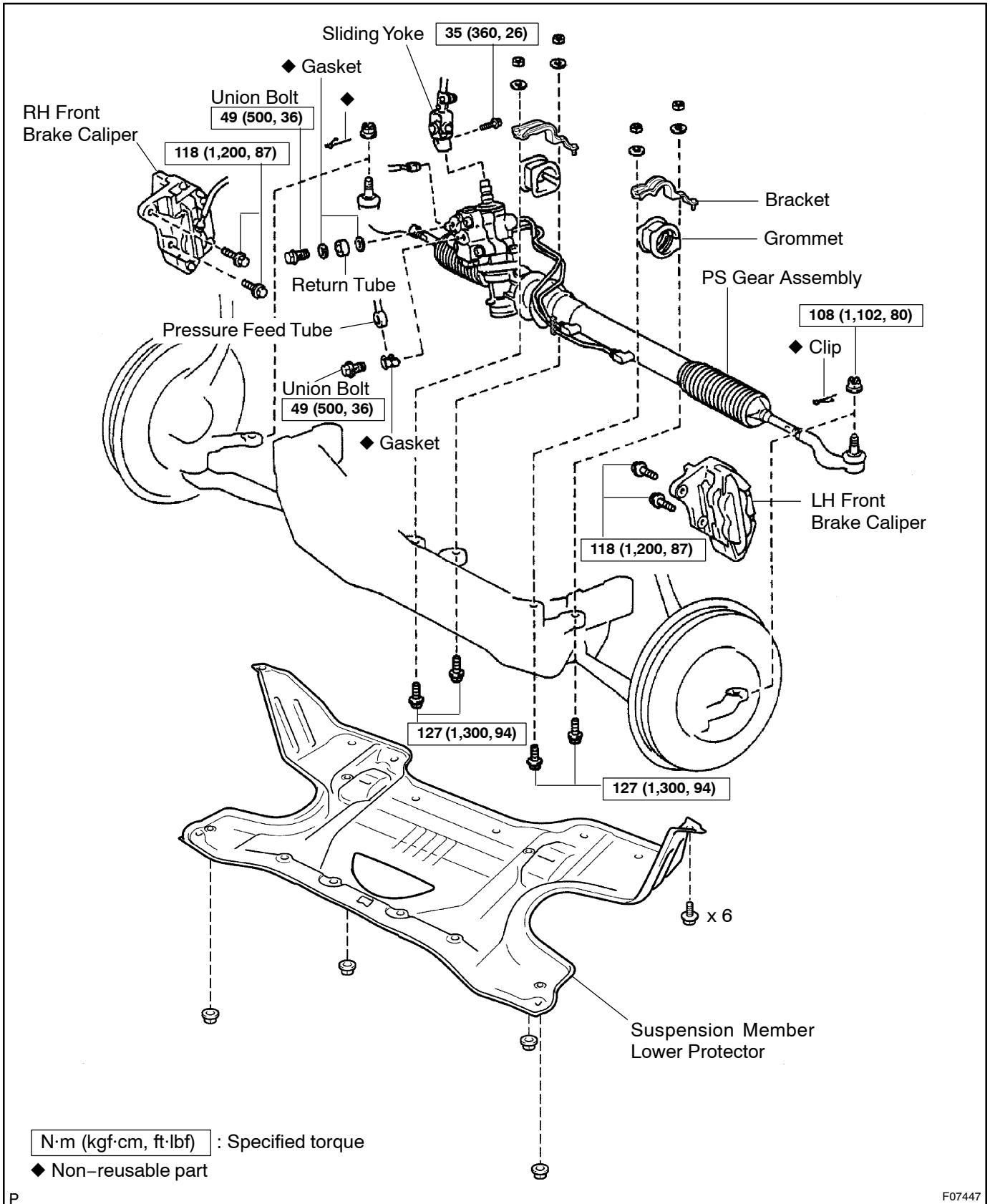
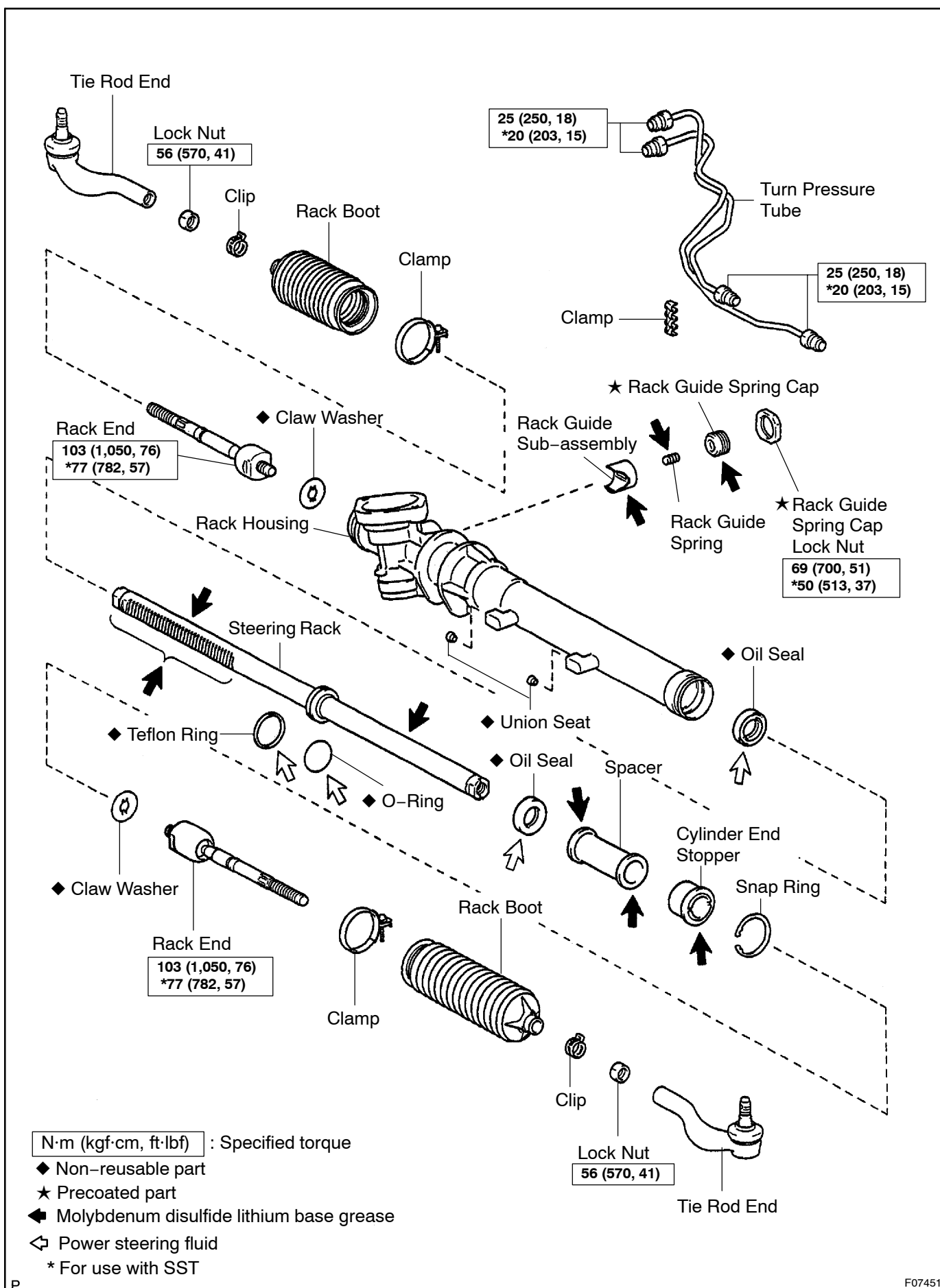


POWER STEERING GEAR COMPONENTS

SROBW-04

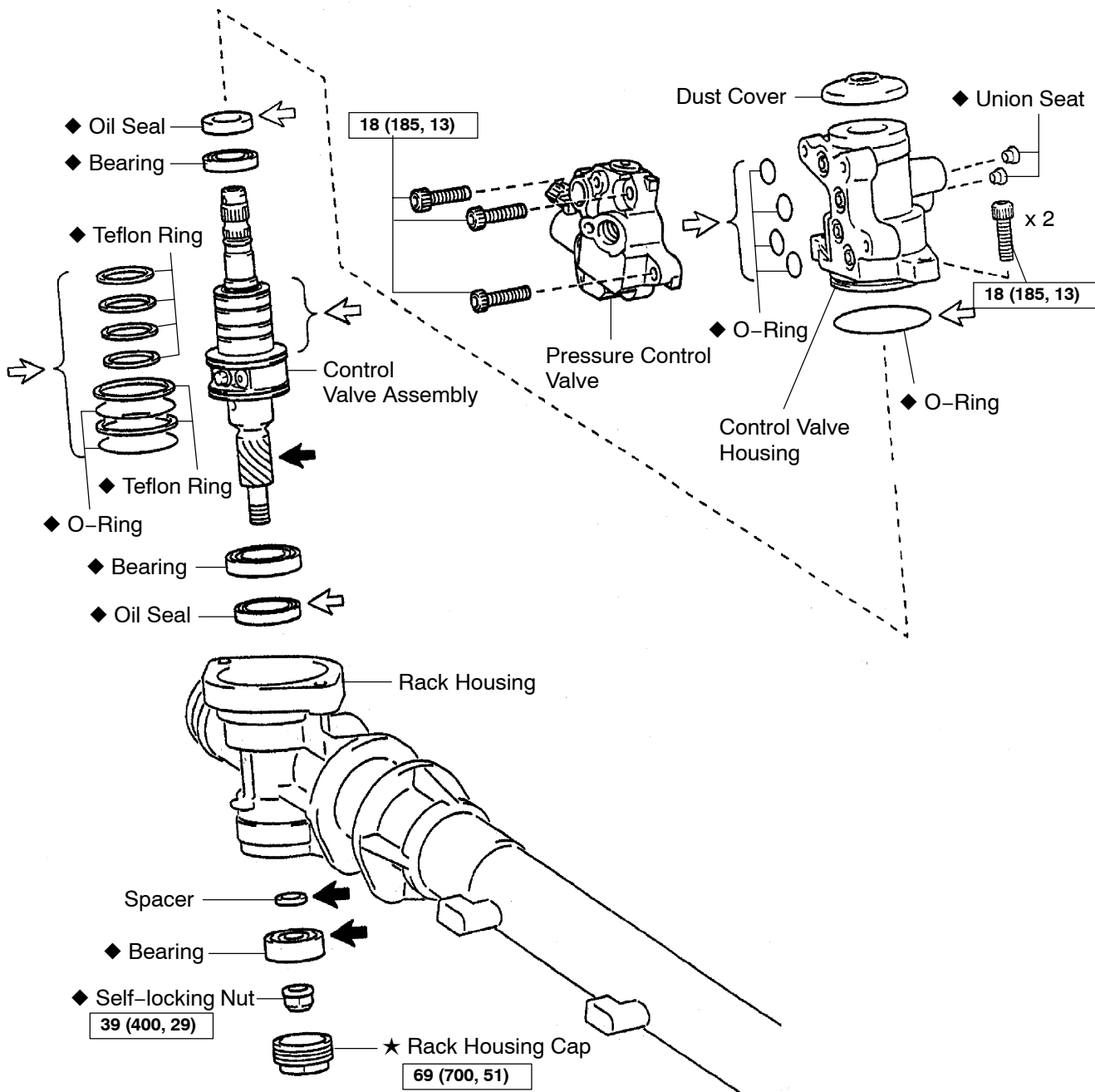


F07447



P

F07451



N·m (kgf·cm, ft·lbf) : Specified torque

◆ Non-reusable part

★ Precoated part

◀ Molybdenum disulfide lithium base grease

↻ Power steering fluid

P

F07452