

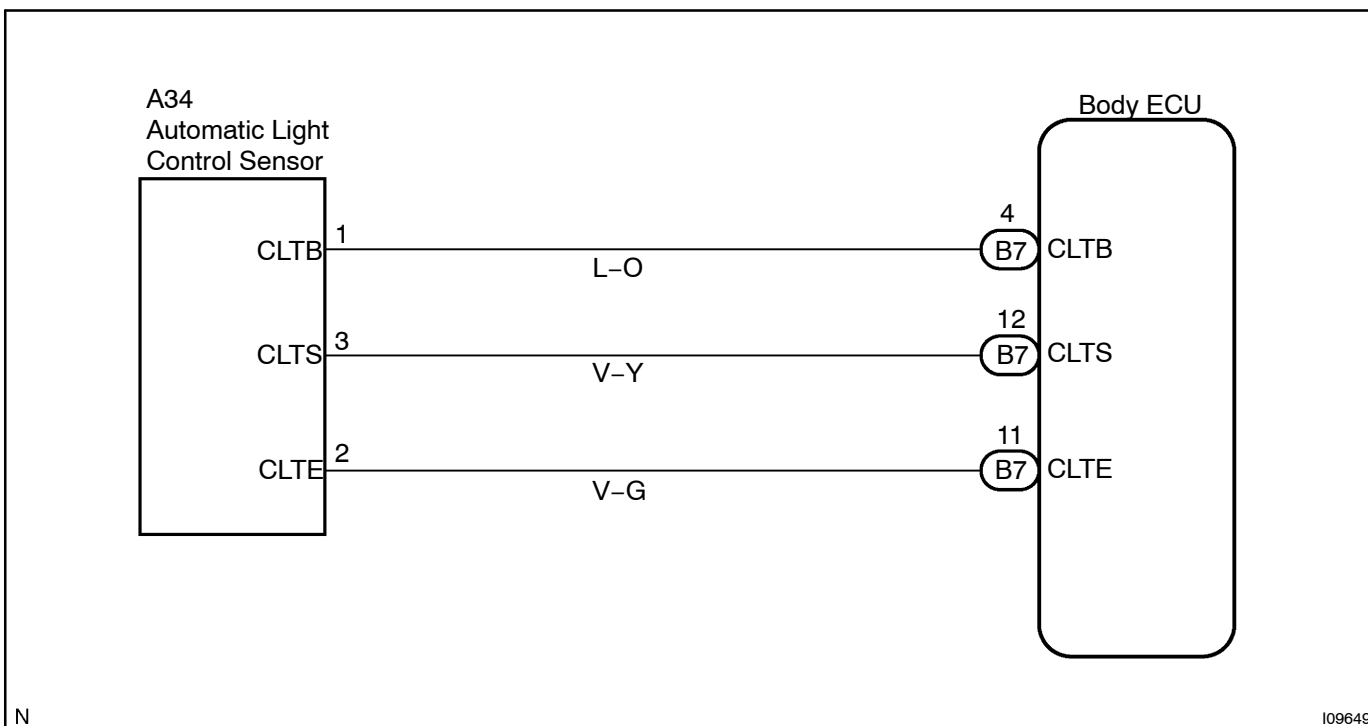
DTC	B1244 / 44	Light sensor circuit malfunction
------------	-------------------	---

CIRCUIT DESCRIPTION

This DTC is output when failure of light sensor circuit is detected.

DTC No.	DTC Detecting Condition	Trouble Area
B1244/44	<ul style="list-style-type: none"> • Malfunction of light sensor • Open or short of light sensor circuit 	<ul style="list-style-type: none"> • Light sensor • Wireharness • Body ECU

WIRING DIAGRAM



N

109649

INSPECTION PROCEDURE**1 Check light sensor.**

Using hand-held tester:

PREPARATION:

- (a) Connect the hand-held tester to the DLC3.
 (b) Turn ignition switch ON and hand-held tester main switch ON.

CHECK:

The value of the illumination rate should change in the following range when the light sensor is put in the light or covered by a hand.

OK:

0.8 ms ~ 22.0 ms

HINT:

- This is the time to be taken for the light sensor to generate one cycle of frequency according to the brightness.

When not using hand-held tester. (See page BE-28)

NG

Replace the light sensor.

OK

2 Check wireharness and connector between light sensor and Body ECU.

NG

Repair or replace wireharness or connector.

OK

Replace the Body ECU.