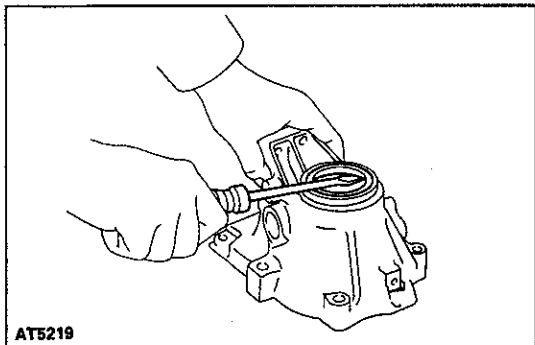


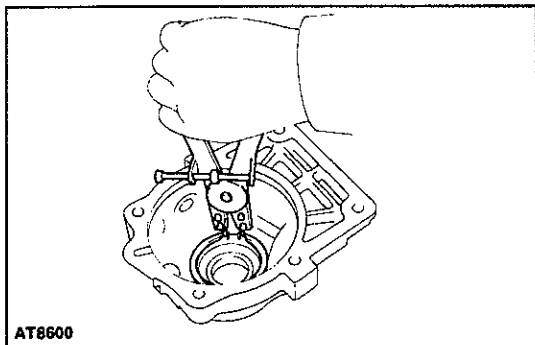
EXTENSION HOUSING EXTENSION HOUSING DISASSEMBLY

ATOEM-02

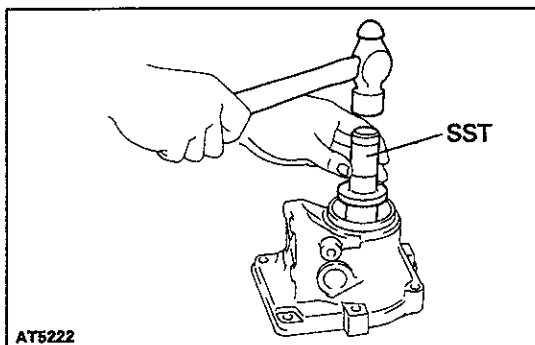
1. REMOVE OIL SEAL FROM EXTENSION HOUSING
Using a screwdriver, remove the oil seal.



2. REMOVE EXTENSION HOUSING BEARING
 - (a) Using a snap ring expander, remove the snap ring.



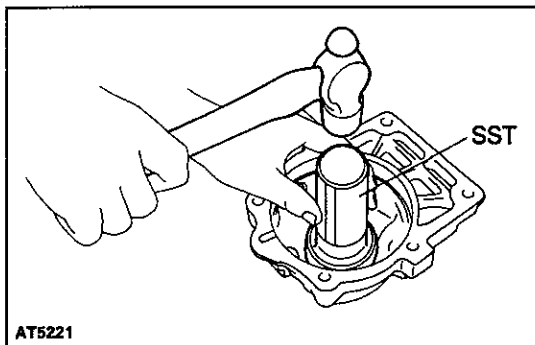
- (b) Using SST, drive out the bearing.
SST 09325-12010



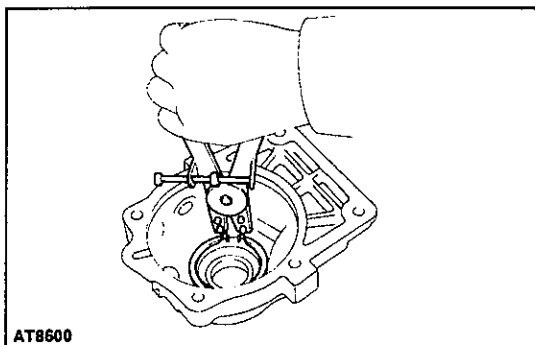
EXTENSION HOUSING ASSEMBLY

ATOEN-02

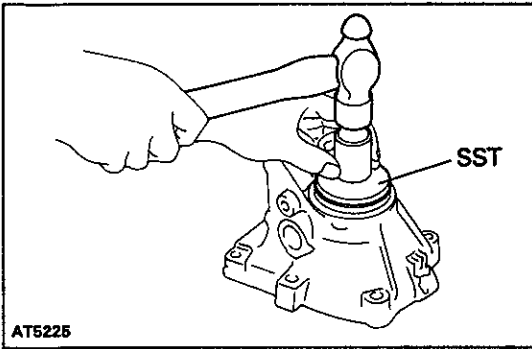
1. INSTALL EXTENSION HOUSING BEARING
 - (a) Using SST, drive in the bearing.
SST 09350-30020 (09350-32140)



- (b) Using a snap ring expander, install the snap ring.



AT



2. INSTALL OIL SEAL TO EXTENSION HOUSING

Using SST, install a new oil seal.

SST 09350-30020 (09350-20013)