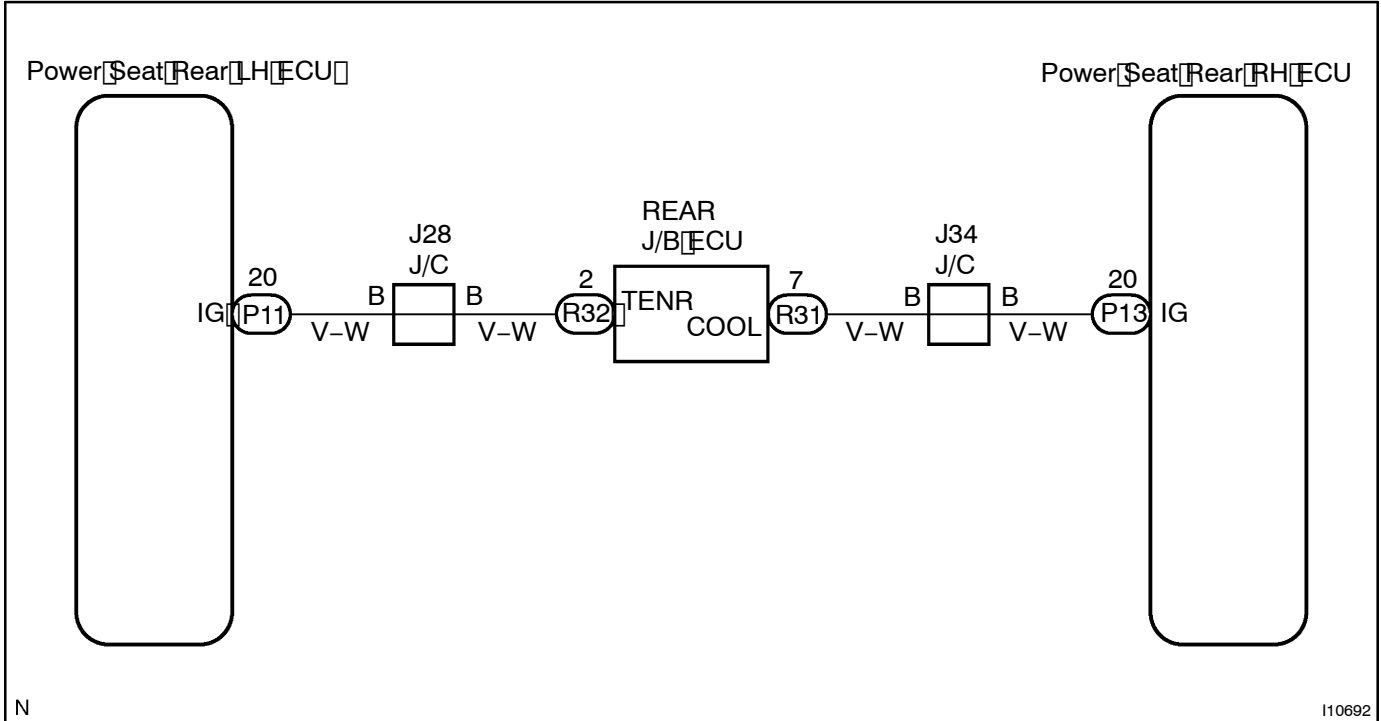


## Rear J/B ECU Communication Circuit

### WIRING DIAGRAM



### INSPECTION PROCEDURE

- 1 Check wireharness and connector between rear power seat switch and rear J/B ECU (See page IN-30).

NG

Repair or replace wireharness or connector.

OK

Proceed to next circuit inspection shown on problem symptoms table (See page DI-387).