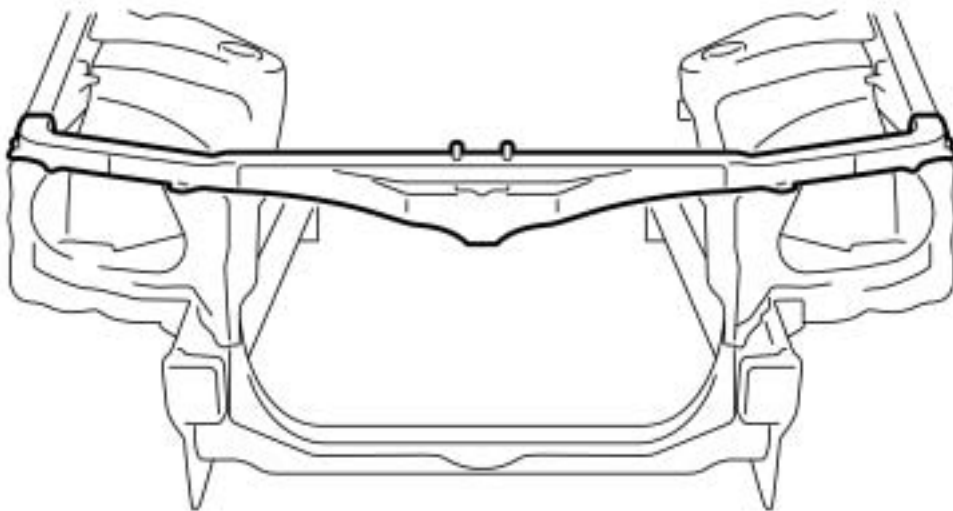
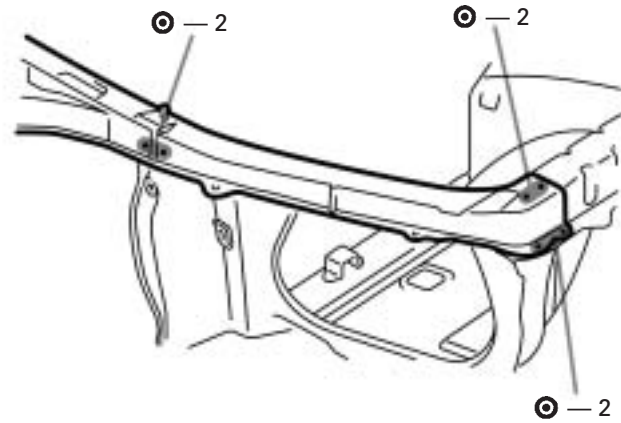
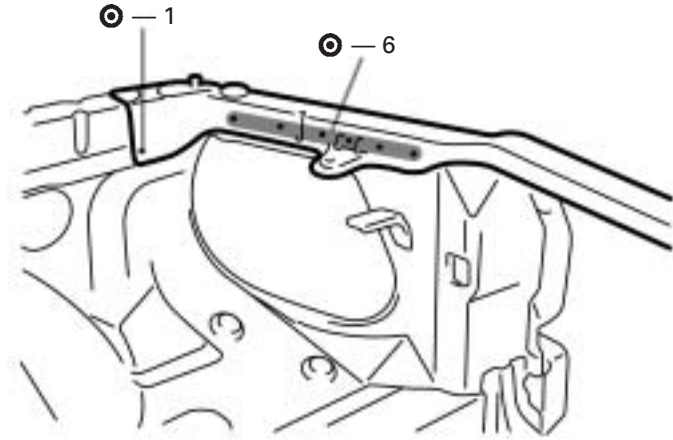
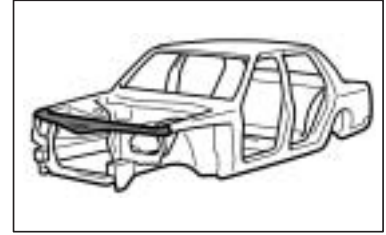
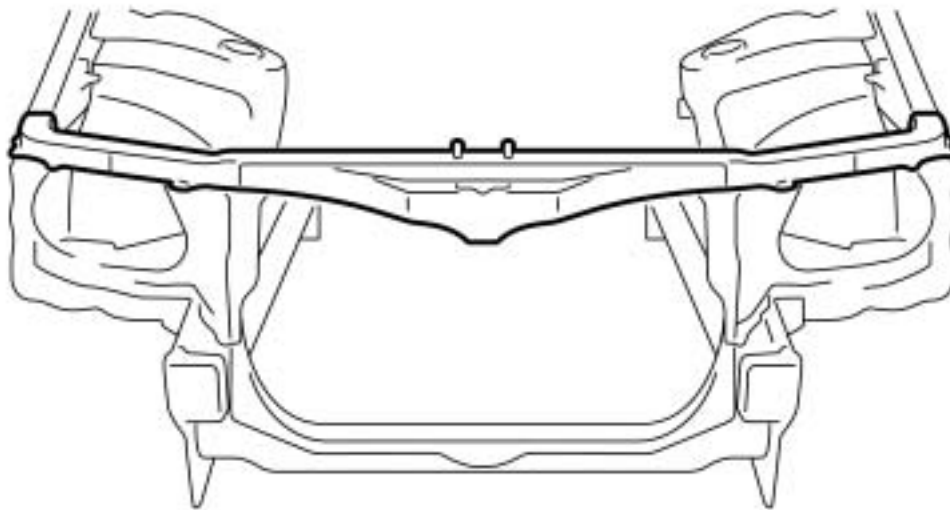
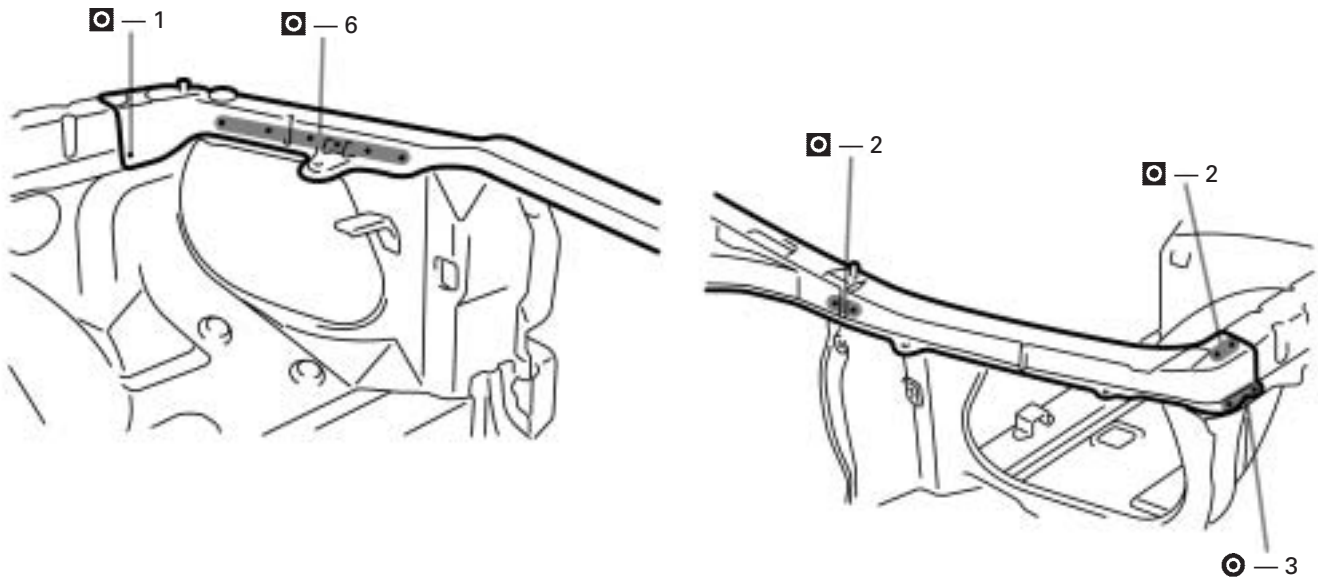


# RADIATOR UPPER SUPPORT (ASSY)



## INSTALLATION



1. Temporarily install the new parts and measure each part in accordance with the body dimension diagram.

*HINT: First install the hood lock support.*