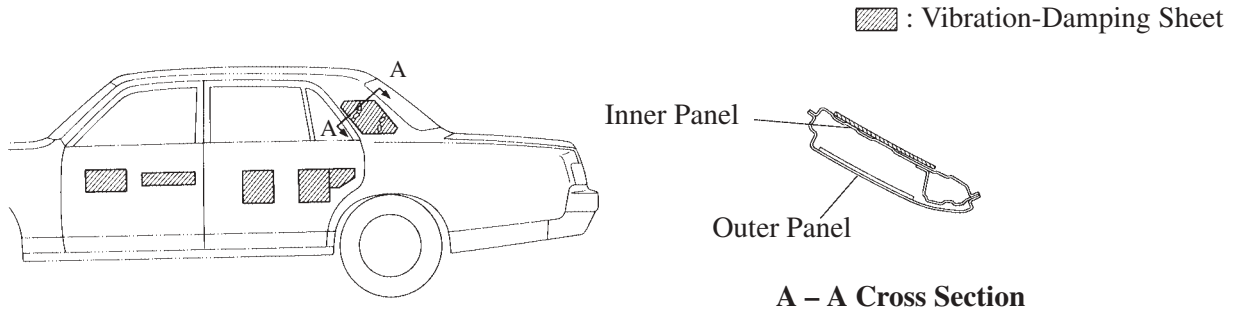


- Vibration-damping sheets are provided in the door panels to dampen the vibration of the panel when opening or closing the door. In particular, the annoying sound when closing the door is reduced.

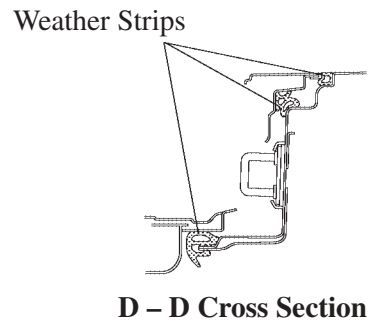
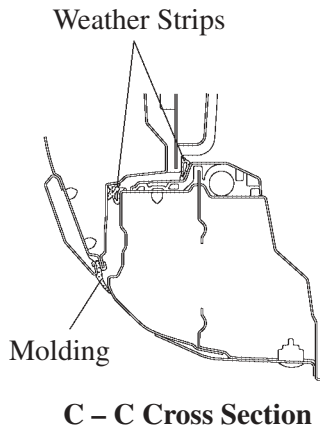
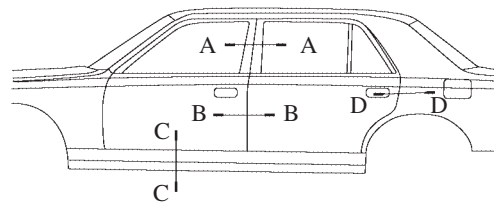
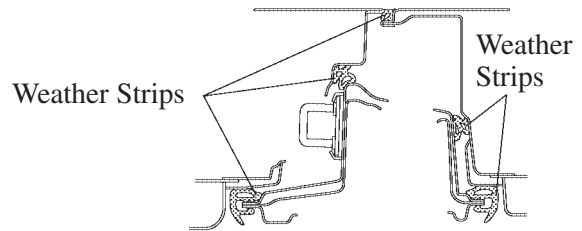
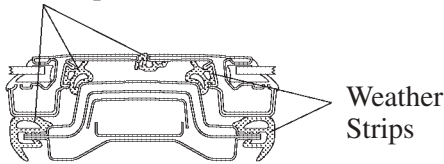


162BO10

WEATHER STRIP

The weather strip around the doors provides multiple seals to reduce the wind noise created in the vicinity of the door.

Weather Strips



162BO14