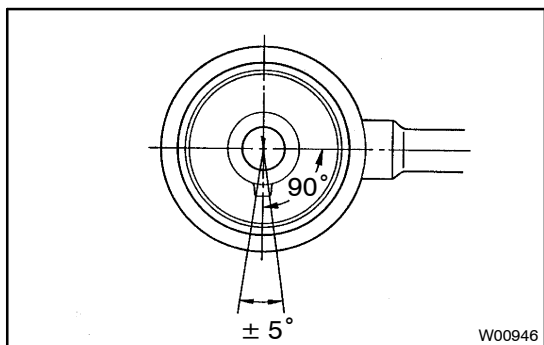


REPLACEMENT

REPLACE STRUT BAR CUSHION

- (a) Using SST and a press, remove the cushion.

SST 09316-60011 (09316-00011),
09710-26011 (09710-05081)



- (b) Using SST and a press, install a new cushion as shown in the illustration.

SST 09316-60011 (09316-00011),
09710-26011 (09710-05081)

HINT:

The index tab of the new cushion should be at a right angle ($\pm 5^\circ$) to the center of the strut bar, and face downwards when seen from outside the vehicle.