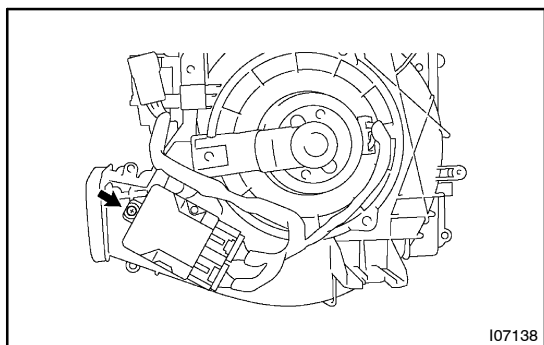


BLOWER MOTOR CONTROL RELAY INSPECTION

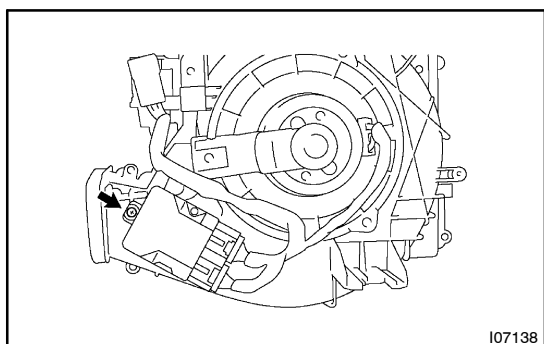
AC24K-01

1. REMOVE NO. 2 UNDER COVER



- ## 2. REMOVE BLOWER MOTOR CONTROL RELAY
- (a) Disconnect the connector.
 - (b) Remove the screw and blower motor control relay.

3. INSPECT BLOWER MOTOR CONTROL RELAY CIRCUIT (See page DI-844)



- ## 4. INSTALL BLOWER MOTOR CONTROL RELAY
- Install the blower motor control relay with the screw.

5. INSTALL NO. 2 UNDER COVER