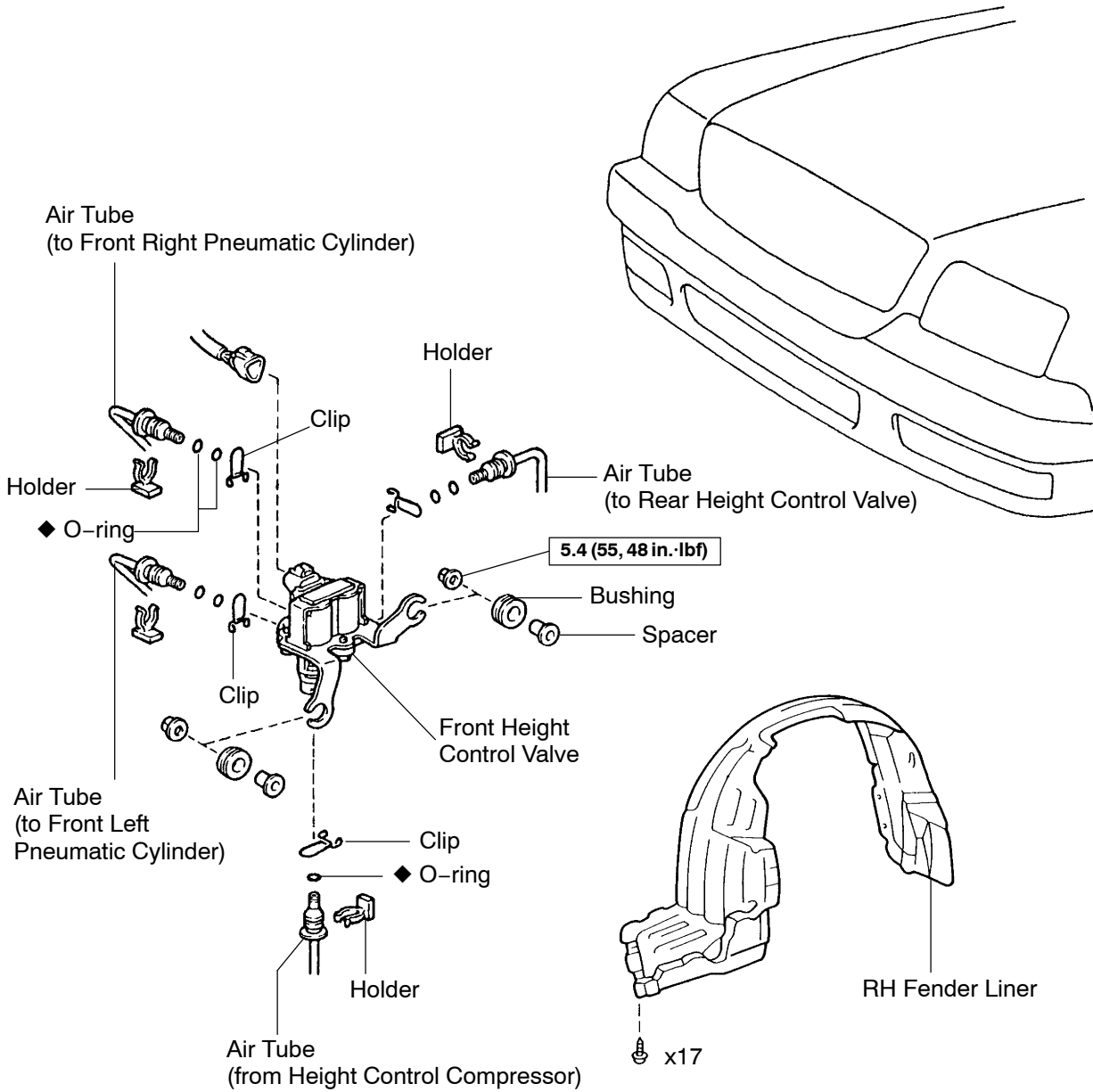


HEIGHT CONTROL VALVE COMPONENTS

SA115-01

Front:



N·m (kgf·cm, ft·lbf) : Specified torque

◆ Non-reusable part

N

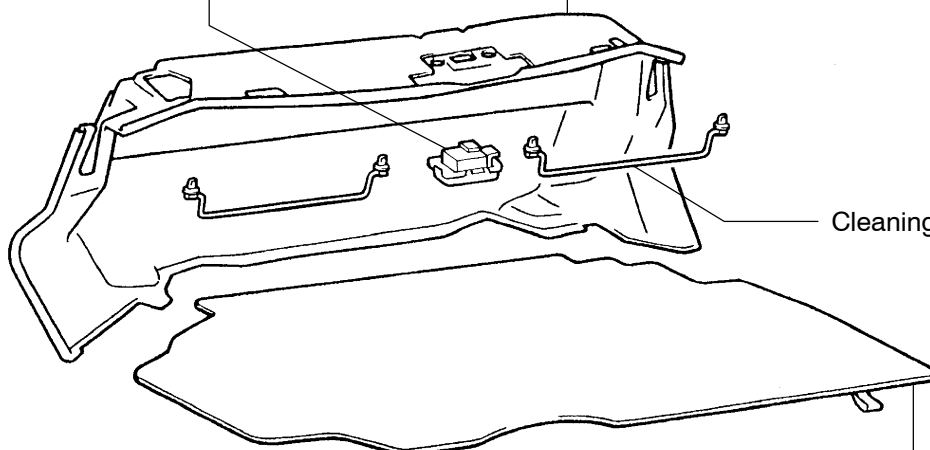
F06607

SUSPENSION AND AXLE - HEIGHT CONTROL VALVE

Rear:

Luggage Compartment Light

Luggage Compartment Trim Front Cover



Cleaning Cloth Hunger

Luggage Compartment Floor Mat

Air Tube
(to Rear Left Pneumatic Cylinder)

Holder

Air Tube
(to Rear Right Pneumatic Cylinder)

◆ O-ring

Holder

Clip

Rear Height Control Valve
Cushion

Air Tube
(from Front Height Control Valve)

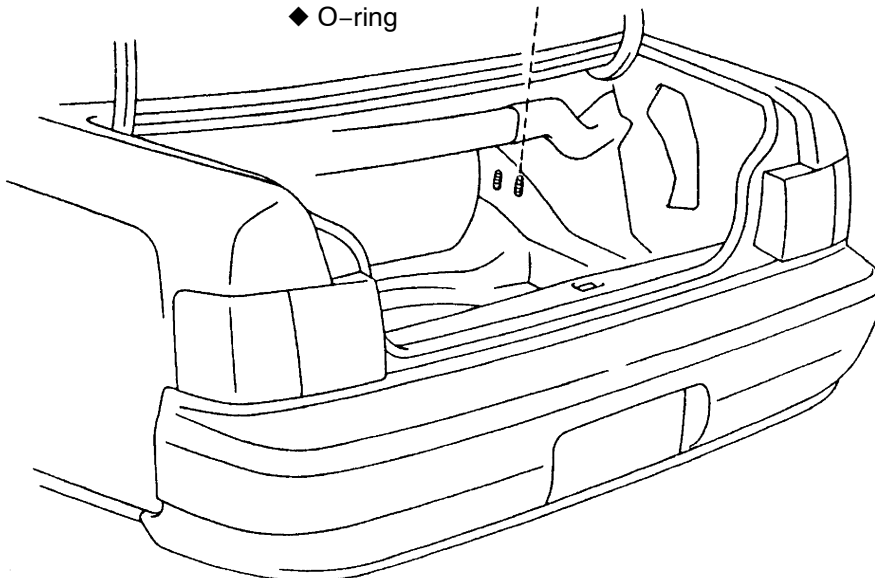
Clip

◆ O-ring

5.4 (55, 48 in.·lbf)

Bracket

Bushing



N·m (kgf·cm, ft·lbf) : Specified torque

◆ Non-reusable part

N

F06608