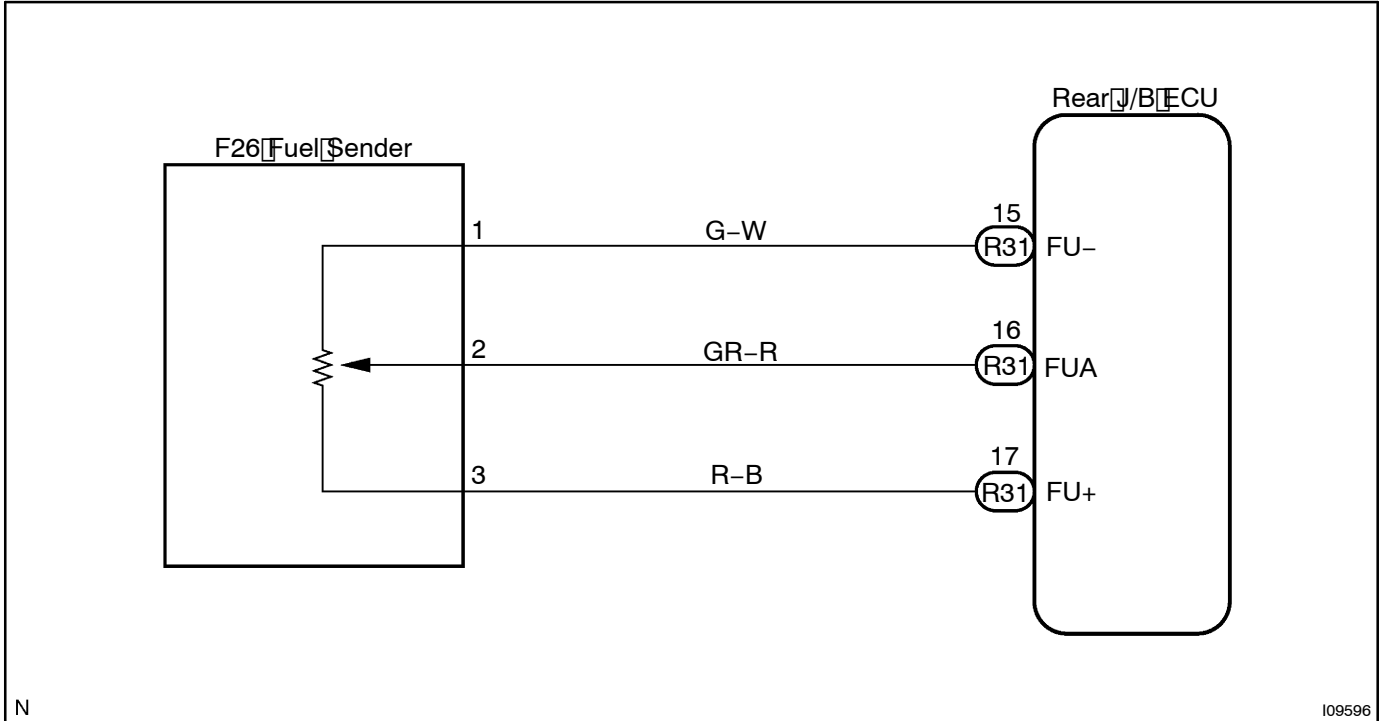


Fuel sender gauge circuit

WIRING DIAGRAM



INSPECTION PROCEDURE

1 Check fuel sender gauge (See page BE-61).

NG

Replace the fuel sender gauge.

OK

2 Check wireharness and connector between fuel sender gauge and rear J/B ECU (See page IN-30).

NG

Repair or replace wireharness or connector.

OK

Proceed to next circuit inspection shown on problem symptoms table (See page DI-665).