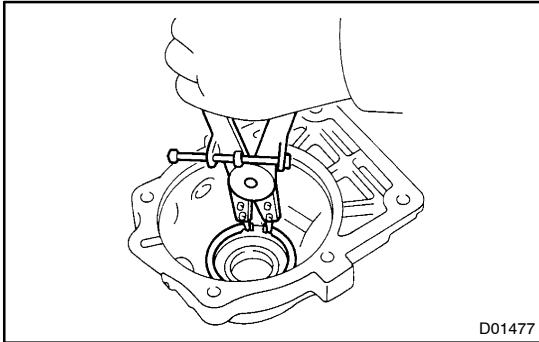


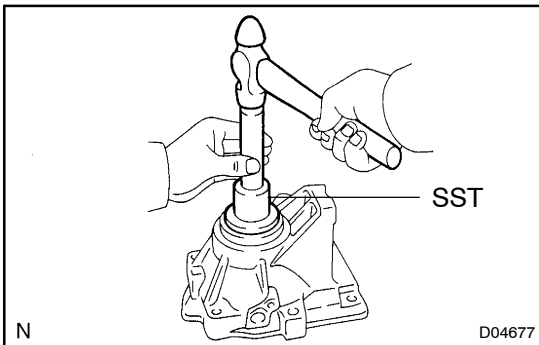
## REASSEMBLY

### 1. INSTALL EXTENSION HOUSING BEARING

- (a) Using SST and a hammer, drive in the bearing.  
SST 09350-30020 (09351-32140)



- (b) Using snap ring pliers, install the snap ring.



### 2. INSTALL OIL SEAL TO EXTENSION HOUSING

Using SST and a hammer, install a new oil seal.

SST 09517-12010