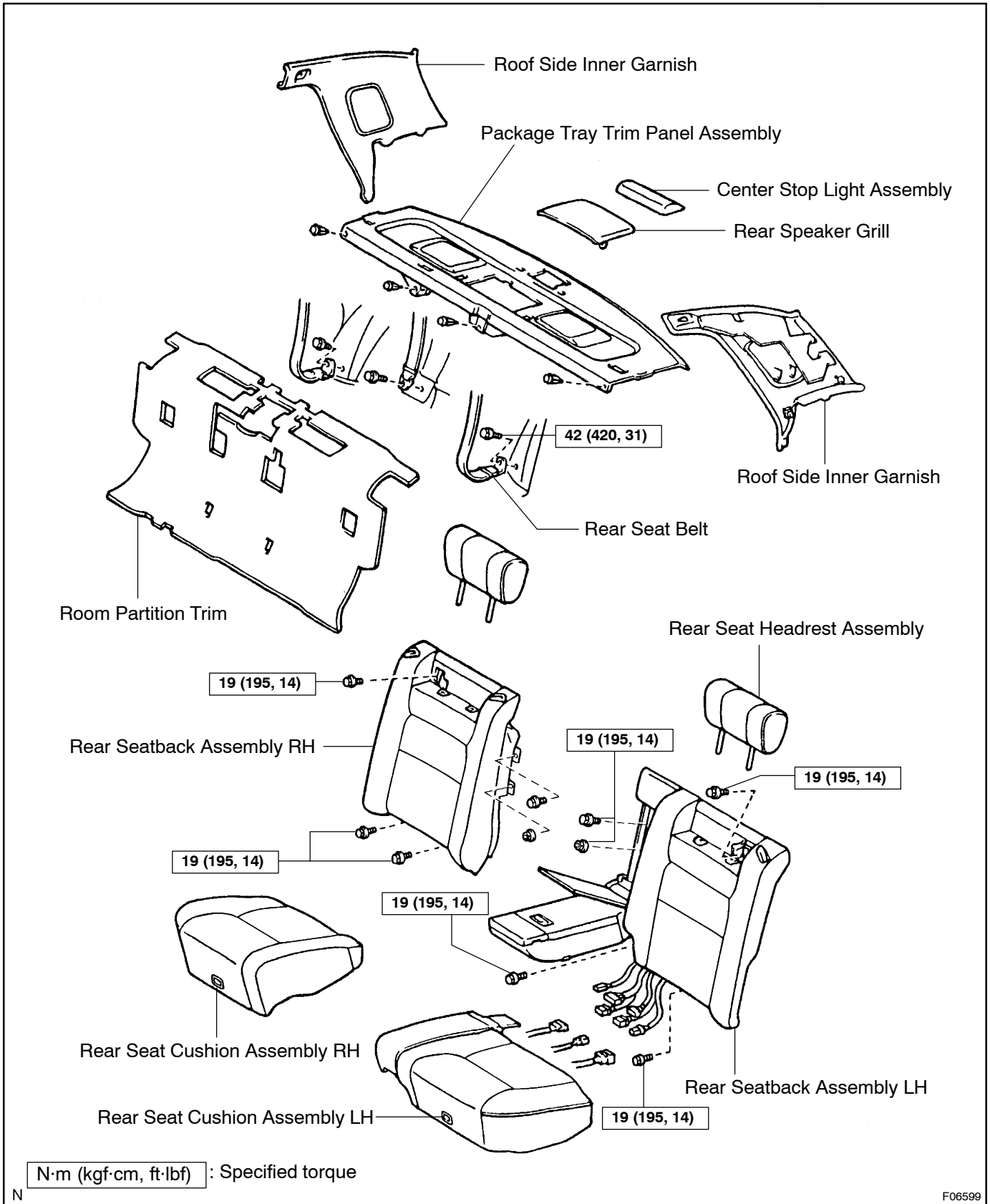


REAR PNEUMATIC CYLINDER COMPONENTS

SA112-01



N

F06599

